

INSTRUCTIONS FOR INTERNAL HYDRANTS



ENG

TABLE OF CONTENTS

INSTRUCTION OF ASSEMBLY FOR THE INTERNAL HYDRANT 52

SPECIFICATION OF HYDRANTS

3

LIST OF SPARE PARTS

COMMENTS

STORAGE INSTRUCTIONS FOR INTERNAL HYDRANTS AND METAL PRODUCTS

4

ASSEMBLY OF THE INTERNAL HYDRANT 52

USE OF SUPPORTS AND BASES

5

METHOD OF ASSEMBLY THE INTERNAL HYDRANT 52

ASSEMBLY OF THE INTERNAL HYDRANT 52 IN SIDE VERSION

INSTRUCTION OF CONNECTING AND CHANGING CONNECTION OF INTERNAL HYDRANT 25

TYPE OF VALVE CONNECTING IN INTERNAL HYDRANT 52

6

CHANGING THE HYDRANT CONNECTION TO WATER PIPE

7

INSTRUCTIONS FOR ASSEMBLING THE FOUR-ELEMENT FRAME IN THE HYDRANT CABINETS

OPERATIONS NEEDED FOR CHANGING CONNECTION SIDE

8

INSTRUCTION OF ASSEMBLY FOR THE GLASS IN THE WINDOW WITH KEY

PATENT LOCK

9

INSTRUCTION OF MAINTENANCE

REGULATIONS

GENERAL RECOMMENDATIONS

10

DECLARATION OF PERFORMANCE

WARRANTY CARD

SPECIFICATION OF HYDRANTS

The hydrant is delivered in one package, which includes:

- hydrant cabinet mounted in recess (A) or (B) or mounted on the wall (C)
- reel with wound lay-flat fire hose $\phi 52$ (20 mb or 15 mb) and hydrant nozzle type PWh 52 (fixed connection to fire hose) or cradel with lay-flat fire hose $\phi 52$ (20 mb or 15 mb) and hydrant nozzle type PWh 52 (fixed connection to fire hose) or basket with lay-flat fire hose $\phi 52$ (20 mb or 15 mb) and hydrant nozzle type PWh 52 (fixed connection to fire hose)
- hydrant valve ZH 52
- folding collar for a recessed hydrant cabinet (B) - (applies to selected models)

LIST OF SPARE PARTS

- hydrant cabinet body, cabinet door or a complete hydrant cabinet
- lay-flat fire hose with hydrant nozzle type PWh 52
- reel and retractable arm or cradel or basket
- folding collar for a recessed hydrant cabinet (B) (applies to selected models)
- glass pane (key protection)
- Patent lock
- hydrant valve ZH 52
- supports, bases
- key

COMMENTS

- During the installation the front of the cabinet should be protected against building materials and mechanical damage (dirt, paintings, etc.), or installed after finishing the works.
- If it is not possible to install the cabinet on a wall or in a recess (e.g. a drywall or the need to install a hydrant in the middle of a large warehouse), use supports or bases, which will be delivered with the cabinet by the manufacturer at the customer's additional order.
- Use flat wrenches when assembling all fasteners with flats or mounting hexagons.
Apply lubricant to the threads of the aluminum fasteners before assembly.
- Checking the tightness of connections, service inspection (including the pre-delivery inspection) can only take place, when the hydrant installation is free of any contamination!

STORAGE INSTRUCTIONS FOR INTERNAL HYDRANTS AND METAL PRODUCTS

1. Internal hydrants and metal products should be stored in warehouses or in roofed and ventilated spaces that provide protection against weather and environmental factors.
2. Storage conditions: ■ temperature from $+5^{\circ}\text{C}$ to $+25^{\circ}\text{C}$ ■ humidity from 40% to 60% ■ no longer than 1 year without use
3. The packaging should not be allowed to get wet or damp. In this case, the packaging should be replaced immediately, drying the product first.
4. Do not allow contact with aggressive substances, in particular solvents which contain esters, ketones, alcohols, aromatic compounds, glycol ethers and halogen hydrocarbons, and with acidic, alkaline and abrasive properties. **NOTE:** In case of contact with the abovementioned substances, you can attempt to repair them in accordance with the maintenance and cleaning instructions for powder coated and stainless steel cabinets available at www.supron.pl
5. Products should be stored on pallets or other flat surface. It is recommended that the minimum distance of the package from the floor is 10 cm.
6. Store, move, transfer, etc. in accordance with the direction indicated on the packaging, if it is not available - door upwards with special care not to cause damage.
7. Stack products of only one dimension up to max. 2.2 m high, with special care not to cause damage.

ASSEMBLY OF THE INTERNAL HYDRANT 52

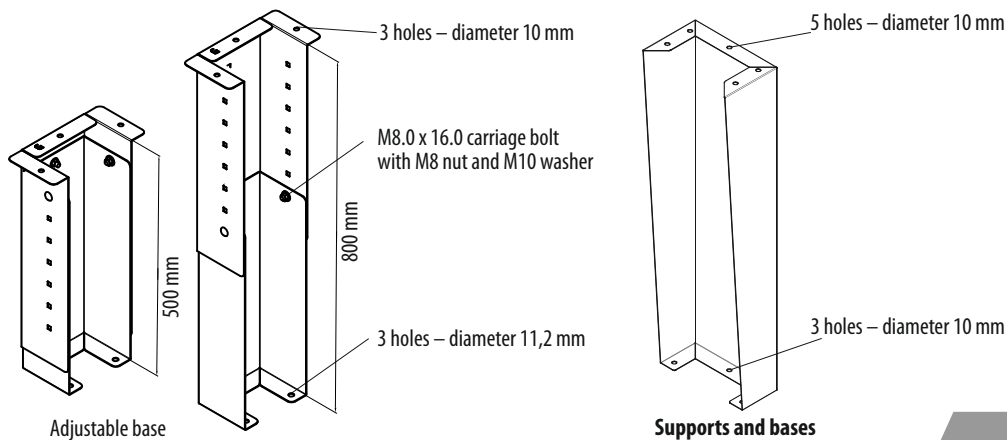
- Install the hydrant cabinet on the wall (Method of assembly - Fig. 1) using $\phi 10$ wall plugs or in the recess (Method of assembly - Fig. 2) using wall plugs and polyurethane foam.
- Install hydrant valve ZH 52 to the water pipe (NOTE! The distance between the hydrant valve ZH 52 from the wall of the hydrant cabinet should be max 70 mm, the deviation of the valve outlet axis from the vertical axis should be 45-50 towards the cabinet door.
- Check the tightness of the valve connection to the water system after installing the valve. (NOTE! Installation must be clean)
- Install a fire hose reel with a z lay-flat fire hose or lay flat hose double coiled put in hose support: cradel (B-2, C-2) or basket (A-3, B-3, C-3)
- End of the hose with coupling connect to 52 hydrant valve
- Set the hydrant nozzle to STOP position (closed)

USE OF SUPPORTS AND BASES

The height of supports and bases is selected so that the hydrant valve is mounted at 1350 mm from the floor.

Supports and bases for internal hydrants 52

Hydrant cabinet height	Supports and bases height	No of supports or base	Base type
520 mm	920 mm	1 pcs.	S-C-PODSTAWA-PANTS-920X390 S-C-PODPORA-PANTS-920X390
550 mm	900 mm	2 pc.	S-C-PODSTAWA-900X250 S-C-PODPORA-900X235
600 mm	850 mm	1 pcs.	S-C-PODSTAWA-PANTS-850X500X200
650 mm	800 mm	2 pc.	S-C-PODSTAWA-REG-OF
800 mm	650 mm	2 pc.	
850 mm	600 mm	1 pcs.	S-C-PODSTAWA-PANTS-600X500X200
900 mm	550 mm	2 pc.	S-C-PODSTAWA-REG-OF



METHOD OF ASSEMBLY THE INTERNAL HYDRANT 52

Fig. 1 Internal hydrant mounted on the wall

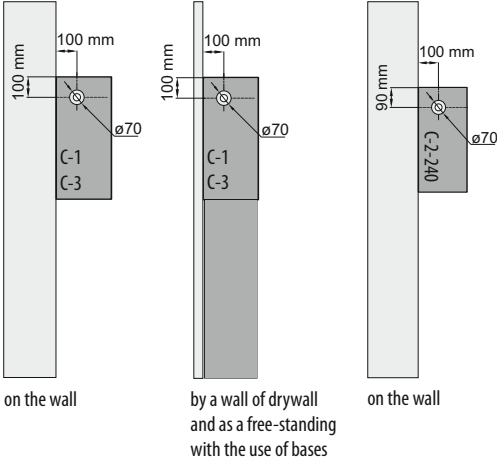
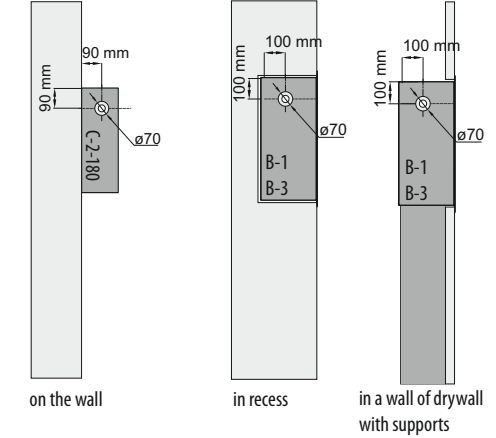


Fig. 2 Internal hydrant mounted in recess



METHOD OF ASSEMBLY THE INTERNAL HYDRANT 52 - SIDE VERSION

Fig. 1 Internal hydrant mounted on the wall

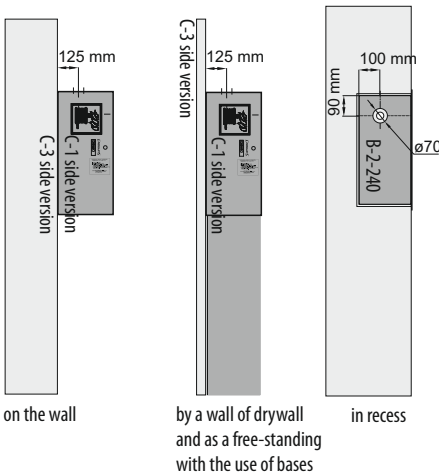
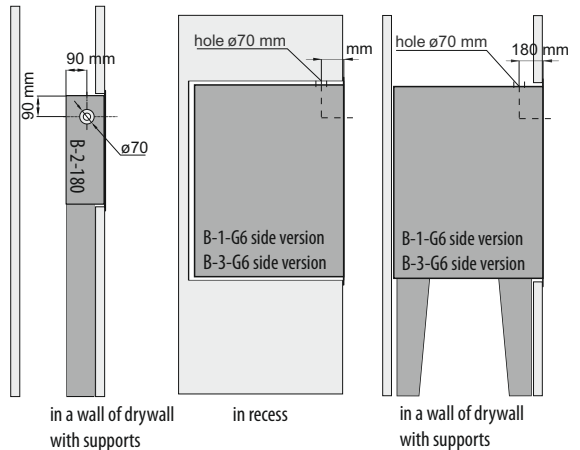


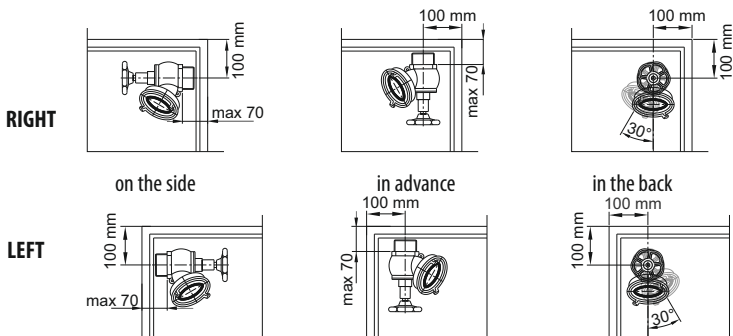
Fig. 2 Internal hydrant mounted in recess



INSTRUCTION OF CONNECTING AND CHANGING CONNECTION OF INTERNAL HYDRANT 52

TYPE OF VALVE CONNECTING IN INTERNAL HYDRANT 52

The deviation of the valve outlet axis from the vertical axis should be 45° - 50° towards the cabinet door.

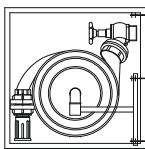


NOTE! The distance of hydrant valve 52 from the wall of the cabinet should be max 70 mm.

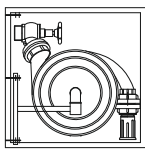
Hydrant cabinet 52 „UNI“ (mounted on the wall or in recess) is an element of an internal hydrant with lay-flat fire hose. Before assembling the cabinet, determine the direction of door opening ("left" or "right"). This choice is made by rotation of the cabinet by 180° .

CHANGING THE HYDRANT CONNECTION TO WATER PIPE

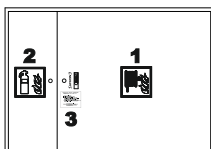
INTERNAL HYDRANT 52 (FIRE HOSE REEL) - CHANGING FROM RIGHT TO LEFT SIDE CONNECTION



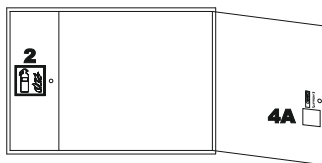
Connection at right side



Connection at left side

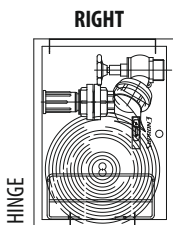


Correct hydrant's marking

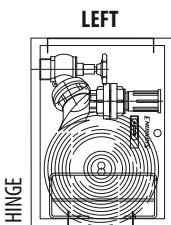


Hydrant's marking inside of the door

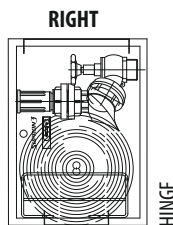
INTERNAL HYDRANT 52 (CRADLE) - CHANGING FROM LEFT TO RIGHT SIDE CONNECTION



Left opening door

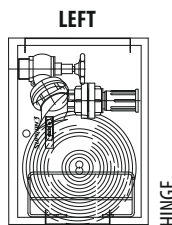


HINGE



Right opening door

HINGE

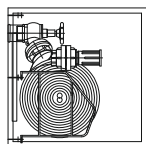


HINGE

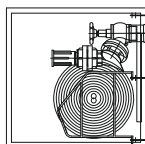
INSTRUCTION OF CONNECTING AND CHANGING CONNECTION OF INTERNAL HYDRANT 52

CHANGING THE HYDRANT CONNECTION TO WATER PIPE

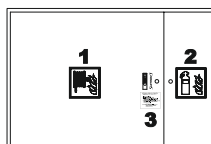
INTERNAL HYDRANT 52 (BASKET) - CHANGING FROM LEFT TO RIGHT SIDE CONNECTION



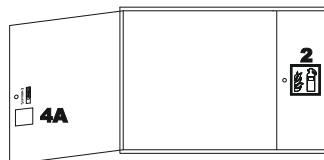
Connection at left side



Connection at right side



Correct hydrant's marking



Hydrant's marking inside of the door

OPERATIONS NEEDED FOR CHANGING CONNECTION TO WATER PIPE

The SUPRON 3 completes the hydrant in accordance with the order, taking into account the connection side.

The customer can change the connection side if it is necessary. Hydrant cabinet has the universality thanks to blanked supply holes located in places allowing for connection from different sides (back, side, top). The replacement takes place before installing the cabinet on the wall or in the recess.

The set of stickers (hydrant sign, hydrant manual, information about hydrant type) with the documentation are in a zip-bag placed inside on the door.

INSTRUCTIONS FOR ASSEMBLING THE FOUR-ELEMENT FRAME IN THE HYDRANT CABINETS

The steps to install the frames are as follow:

1. Insert one vertical frame profile (2) between the door (4) and the cabinet body (5) from the door hinge side.
2. Open the door (4) as widely as possible and lean back the hinge (6).
3. Attach the profile to the cabinet body (5) using two metal sheet screws (3)
4. Put the second vertical frame profile (2) to the cabinet body (5).
5. Attach the second vertical frame profile (2) to the body (5) using two metal sheet screws (3)
6. Attach the horizontal frame profiles (1) in the same way as above.

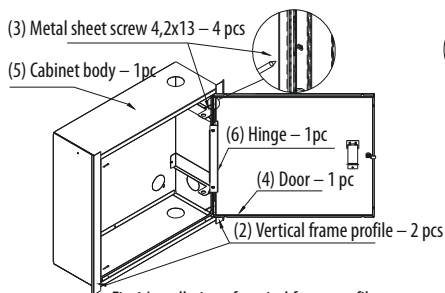


Fig.1 Installation of vertical frame profiles

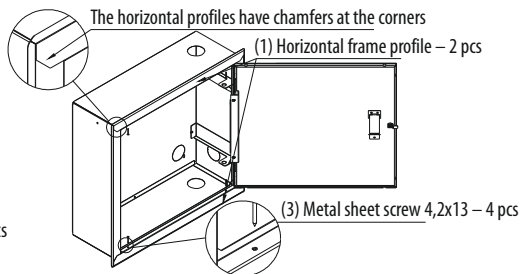


Fig.2 Installation of horizontal frame profiles

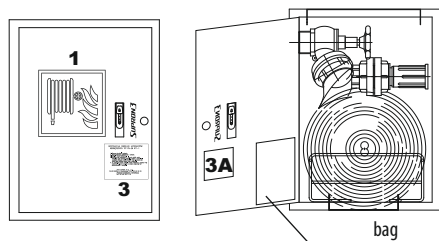
If additional construction works are required around the recess, please remove the frames to avoid damaging of the coating.

INSTRUCTION OF CONNECTING AND CHANGING CONNECTION OF INTERNAL HYDRANT 52

OPERATIONS NEEDED FOR CHANGING CONNECTION SIDE

You can change connection side (without changing hydraulic properties) taking following operations:

- Take out the hose reel in carton from cabinet. Disassemble arm or take out hose from cradle and disassemble cradle or take out hose from hose basket and disassemble hose basket
 - Rotate the cabinet by 180°
 - Install the hydrant cabinet on the wall or in the recess
 - Knock the connection hole – cabinet has embossing ready to knock holes for connecting pipe
 - Assembly the hydrant valve to the supply pipe as described above
 - Assembly an arm, according to manual. Fix the position of the arm in a mirror image to the original by moving sleeves and cotters or assembly the cradle in the catches or assemble the hose basket on basket catches.
 - Assembly the hose reel in the arm
or put hose in the cradle and connect it to the valve. Cradle must be installed in bottom catches – it makes easier to take out the hose. Upper catches should be bent on sides or put hose in the hose basket and connect it hydrant valve.
- NOTE:** Set the hydrant nozzle to STOP position (closed)
- In case of the cabinet with Patent lock change to position of the key – according to the further manual
 - Put the stickers on the hydrant cabinet:

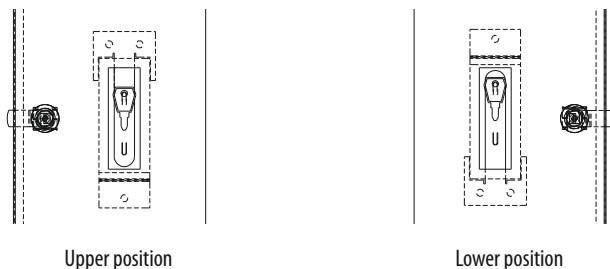


- Sticker no. 1 - "Hydrant sign"
- Sticker no. 2 - "Extinguisher sign" (for a hydrant with a fire extinguisher in a combi version)
- Sticker No. 3 – Hydrant manual
- Sticker no. 4A or 3A – Information about hydrant's type (inside of the door)

NOTE! The hydrant's markings presented in the instructions are in accordance with EN 671-1: 2012.
Failure to follow the manufacturer's instructions may results in loss of warranty.

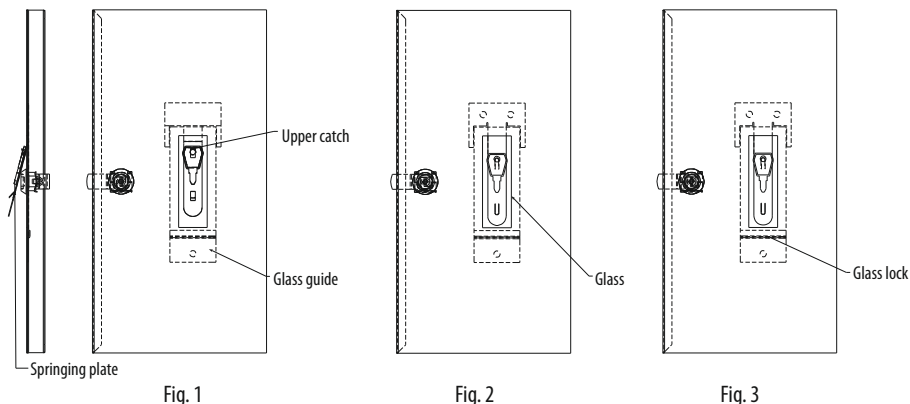
PATENT LOCK

The cabinets with patent lock have a safety glass with a key for emergency opening. The key is hung only in one variant in a way that makes it easier to swing out.



If you need to change the side of hydrant connection, the direction of opening cabinet door, replace the broken glass or after finding the wrong key suspension (on the lower catch):

- Open the door
- Pull out the plastic glass lock
- Pull out the glass; scraps of glass after breaking
- Remove the key from the lower catch (applies to incorrect suspension)
- Hang the key on the upper catch and bend the catch
- Bend spring plate in the direction - outside the cabinet, giving it elastic properties - Fig. 1
- Slowly bend metal plate in the direction inside of cabinet through the window
- Slide the glass into the guide so that the key is behind it - Fig. 2
- Slide the lock into the guide (the insertion force should be significant to prevent the glass falling out) - Fig. 3



GENERAL RECOMMENDATIONS

The manufacturer recommends technical inspections and maintenance at least once a year and after each use of a fire hydrant.

Inspections and maintenance should comply with the current PN-EN 671-3 standard:

1. The regular periodic inspection should be carried out by a responsible person, at intervals depending on the environmental conditions, to make sure that each hydrant:

- is located in the designed place
- it isn't covered, is visible and has legible markings and instructions
- no visible damage

The responsible person should immediately take action to remove any irregularities noted.

2. Inspections and maintenance carried out once a year must be carried out by a authorized person as follows:

Unwind fire hydrant hose completely, pressurize hydrant and check that:

- device is not blocked, undamaged, and components are not corroded or leaking
- instructions are clean and legible
- location is clearly marked
- wall mounts are suitable for their purpose and securely mounted
- water outflow is even and sufficient (it is advisable to use a flow meter and pressure gauge)
- pressure gauge (if used) works correctly and within its measuring range
- the entire length of fire hose shows no signs of damage, deformation, worn or cracks. If fire hose is damaged, it should be replaced with a new one or pressure tested to the maximum working pressure.
- hose clamps or taping are of the correct type and properly clamped
- fire hose reel rotates slightly in both directions
- in the case of a swing-out fire hose reel, whether it rotates easily and tilts 180 °
- in the case of manual fire hose reel the shut-off valve is of the correct type and works easily and correctly
- in the case of automatic fire hose reels, that the operation of automatic valve is correct and the operation of additional one the service shut-off valve is correct
- the condition of water supply pipes is good. Particular attention should be paid to whether flexible sections show signs of worn or damage
- if the fire hydrant is equipped with a cabinet, is there no signs of damage and whether cabinet door opens easily
- the nozzle is the right type and easy to use
- hose guides work correctly. Make sure that they are properly and securely attached
- leave the internal hydrant ready for immediate use. If major repairs are required, fire hydrant should be marked 'DAMAGED' and a authorized person should notify the user / owner.

Periodic inspection and maintenance of hoses:

- every 5 years hoses should be pressure tested for the maximum operating pressure of the installation, in accordance with the standards PN-EN 671-1, PN-EN 671-2.

GENERAL RECOMMENDATIONS

Documenting inspections and maintenance:

After the review and the necessary measurements, the internal hydrants should be marked "CHECKED" by authorized persons. Responsible persons should keep permanent records of all inspections, controls and tests. Such a record should contain:

- date (month and year) of the review and test
- list and date of spare parts installed
- additional tests to be performed, if required
- date (month and year) of the next review and tests
- a list of all internal hydrants

Maintenance and inspection labels:

Maintenance and inspection data should be written on a label that must not cover any manufacturer's markings. The following information should be appear on the label:

- the word "CHECKED"
- name and address of the hydrant supplier
- a sign uniquely identifying the person performing the inspection or the surname and first name of the maintainer
- date (month and year) when the maintenance was carried out